

**Medium**

Compressed air, filtered, lubricated or non-lubricated

**Temperature Range**

15° to 140° F

**Operating Pressure**

30 to 120 psig

**Operating Frequency**

120 cpm (cycles per Minute)

**Material**

Body: Aluminum

Piston Seals: Polyurethane



Nom. Size (mm)	Function	NPT Ports		Operating Pressure (psi)		Flow (Cv) Ports		Response Time (ms)	Weight (lb.)	Valve model number 120 VDC	Spare Parts Kit	Valve model number 24 VDC
		1, 2	3	min.	max.	12	23					
<b>Solenoid actuated valves with internal pilot air supply</b>												
15	NC	1/2	3/4	30	150	4.8	6.1	10	2.8	8026580080102400	8026580080112060	0555370000000000
20	NC	3/4	1	30	150	8.3	14.4	10	3.3	8026680080102400	8026680080112060	0555371000000000
25	NC	1	1	30	150	11.7	15.6	10	3.3	8026780080102400	8026780080112060	0555371000000000
30	NC	1-1/4	1-1/4	30	150	19.2	23.0	12	6.6	8026880080102400	8026880080112060	0557142000000000
40	NC	1-1/2	1-1/2	30	150	26.7	31.8	15	8.4	8026980080102400	8026980080112060	0557141000000000
15	NO	1/2	3/4	30	150	4.8	6.1	10	2.8	8028580080102400	8028580080112060	0555372000000000
20	NO	3/4	1	30	150	8.3	14.4	10	3.3	8028680080102400	8028680080112060	0555373000000000
25	NO	1	1	30	150	11.7	15.6	10	3.3	8028780080102400	8028780080112060	0555373000000000
40	NO	1-1/2	1-1/2	30	150	26.7	31.8	15	8.4	8028980080102400	8028980080112060	0557147000000000
<b>Solenoid actuated with external pilot air supply<sup>1</sup></b>												
15	NC	1/2	3/4	0	150	4.8	6.1	10	2.8	8026588080102400	8026588080112060	0555370000000000
20	NC	3/4	1	0	150	8.3	14.4	10	3.3	8026688080102400	8026688080112060	0555371000000000
25	NC	1	1	0	150	11.7	15.6	10	3.3	8026788080102400	8026788080112060	0555371000000000
<b>Solenoid actuated with external pilot air supply for vacuum service<sup>2</sup></b>												
20	NC vac service	3/4	1	vac	90	8.3	14.4	10	3.3	8026687080102400	8026687080112060	0556477000000000
25	NC vac service	1	1	vac	90	11.7	15.6	10	3.3	8026787080102400	8026787080112060	0556477000000000
40	NC vac service	1-1/2	1-1/2	vac	90	26.7	31.8	15	8.4	8026987080102400	8026987080112060	0557474000000000
<b>Air actuated<sup>3</sup></b>												
15	NC	1/2	3/4	0	240	4.8	6.1	–	1.8	8036520080102400	8036520000000000	0555571000000000
20	NC	3/4	1	0	240	8.3	14.4	–	2.2	8036620080102400	8036620000000000	0555572000000000
25	NC	1	1	0	240	11.7	15.6	–	2.2	8036720080102400	8036720000000000	0555572000000000
40	NC	1-1/2	1-1/2	0	150	26.7	31.8	–	6.4	8036920080102400	8036920000000000	0557154000000000

1. Pilot air pressure must be equal to or greater than system (working) pressure at port No. 1 and a minimum of 30 psig.

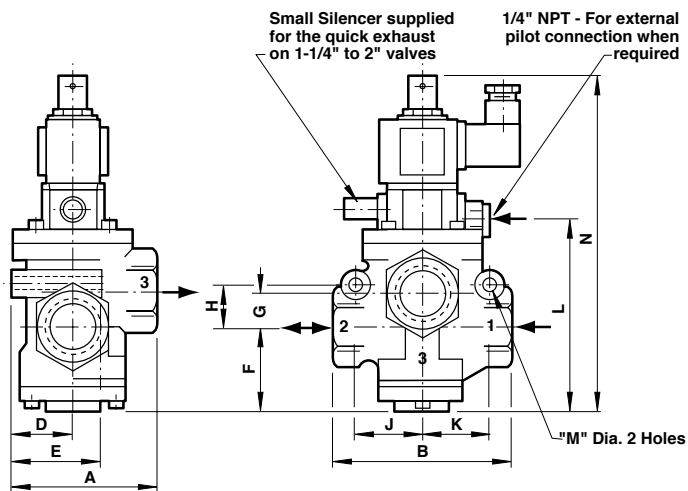
2. Pilot air pressure must be at least 60 psig and a minimum of 15 psig greater than pressure at port No. 1. For vacuum service, vacuum is applied at Port No.

3. Actuating air pressure must be equal to or greater than system (working) pressure at port No. 1 and a minimum of 15 psig.

NC = Normally Closed

NO = Normally Open

**3 way (3/2) Poppet valves with solenoid actuation**



**Standard solenoid number 0801**

Specifications: The connector conforms to ISO 4400 and the combination solenoid / connector meets the classification NEMA 4. All HERION solenoids are rated for 100% duty cycle complying to insulation class 155°F (Class F).

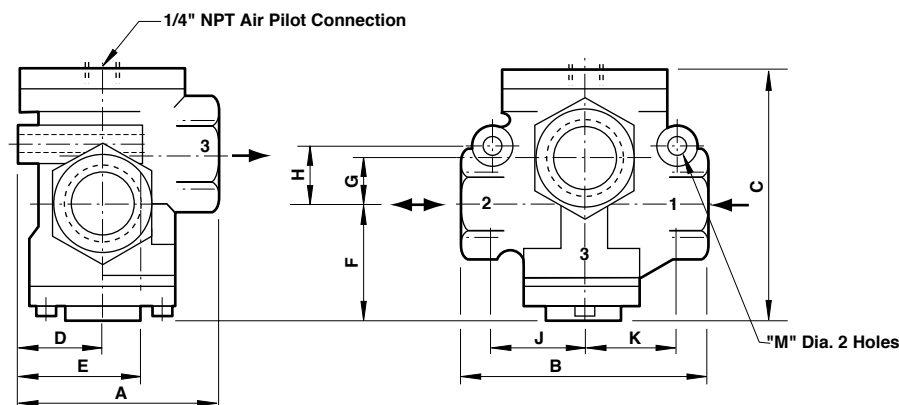
Features: The solenoids are attached to the valve with a solenoid retaining nut. The coil of the solenoid is a pressure molded encapsulation. The electrical connection is made through three prongs (2 power, 1 ground) which attach to the mating connector with one screw. Solenoids are stocked for 24 VDC and 120 VAC 60 HZ.

**Connector**

Solenoid Series	Standard Cable Clamp	Optional Connector Part Numbers		
		1/2" NPT	Lighted - Cable Clamp 24 VDC	120 VAC
0801	0570275000000000	0661374000000000	0570818000000000	0570816000000000

Power consumption  
 DC - 16W  
 AC - 50 VA inrush, 27 VA holding

**3 way (3/2) Poppet valve with air actuation**



Port Size NPT		A	B	C	D	E	F	G	H	J	K	L	M	N
1, 2	3	78	86	105.5	39	52	48	15	17	32	39	104	9	20
1/2	3/4	(3.07)	(3.39)	(4.15)	(1.54)	(2.05)	(1.89)	(.59)	(.67)	(1.26)	(1.54)	(4.09)	(.35)	(7.87)
3/4	1	92	112	115.5	40	54	53	21	23	39	44	116	9	210
		(3.62)	(4.41)	(4.55)	(1.57)	(2.13)	(2.09)	(.83)	(.91)	(1.54)	(1.73)	(4.57)	(.35)	(8.27)
1	1	92	112	115.5	40	54	53	21	23	39	44	116	9	210
		(3.62)	(4.41)	(4.55)	(1.57)	(2.13)	(2.09)	(.83)	(.91)	(1.54)	(1.73)	(4.57)	(.35)	(8.27)
1-1/2	1-1/2	123	164	173	46	70	85	31	37	50	68	168	14	277
		(4.84)	(6.46)	(6.81)	(1.81)	(2.76)	(3.35)	(1.22)	(1.46)	(1.97)	(2.68)	(6.61)	(.55)	(10.9)

Dimensions in mm (inches)